



Material no : **1SCBO722039**
 Model : **C-BHR 400L0X**
 Customer : **Shoei**

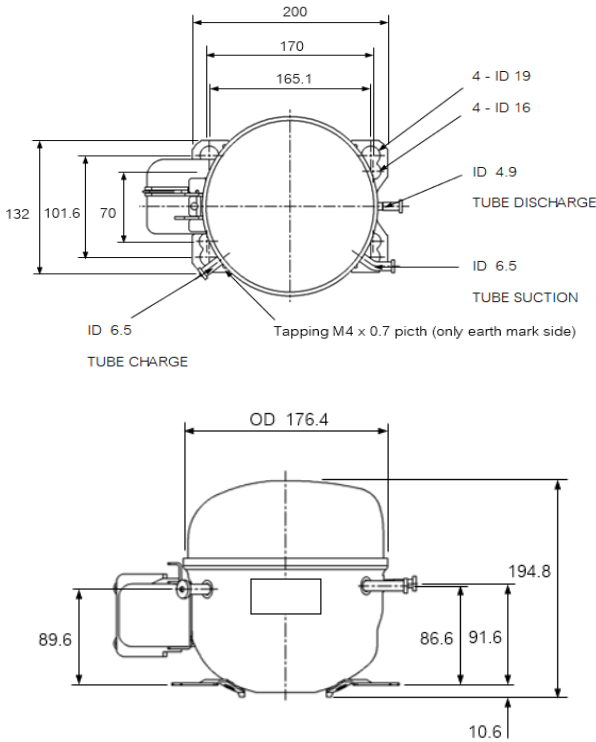
Customer Approved

Hermetic compressor NON-CFC

100 V~ 50 / 60 Hz 1 Phase

(Sign / Sealed)

Dimension (mm)



Performances data

Cooling capacity	± 8%	(Btu/h)	1336.7	1670.9
	± 8%	(Kcal/h)	337.1	421.4
	± 8%	(W)	392.0	490.0
Input power	± 8%	(W)	270.3	326.7
Input current	± 8%	(A)	-	-
COP		(W/W)	1.45	1.50
EER		(Btu/h.W)	4.94	5.12
		(Kcal/h.W)	1.25	1.29
Starting V. (at 3 kg/cm ² G)		(V)	85 max	
Noise (Distance 30 cm)		dB(A)	44 max	45 max
Rated voltage			100V/50Hz	100V/60Hz

Test condition

Evaporating temp.	(°C)	-23.3	(-10 °F)
Condensing temp.	(°C)	54.4	(130 °F)
Suction gas temp.	(°C)	32.2	(90 °F)
Liquid temp.	(°C)	32.2	(90 °F)
Ambient temp.	(°C)	32.2	(90 °F)

Application

Evaporating temp. range	(°C)	-35 ~ -5	(-31 ~ 23 °F)
Refrigerant		R-290	
Compressor cooling		Fan Cooling	
Voltage range	(V)	85 ~ 110	

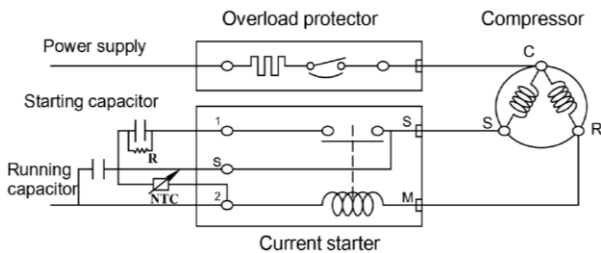
Compressor and motor data

Design		Reciprocating 1-Cylinder	
Bore size ID	(mm)	24.0	
Stroke	(mm)	18.5	
Displacement	(cc/rev)	8.37	
Oil charge (Visc.32mm ² /s)	(cc)	250	
Motor type		1 Phase / 2 Pole / CSR	
Winding resistance at 25 °C (77 °F)			
Main coil ± 5 %	(ohm)	1.41	
Aux. coil ± 5 %	(ohm)	4.74	
Revolution	(rpm / Hz)	2900 / 50	3500 / 60
Weight (No oil / with oil)	(kg)	-	

Electrical parts

Overload protector		External thermal over current type	
Type		-	
UT current / ST current	(A)	-	
Current Starter		KME682-33NTP	(3KME682-33NTPASY)
Pick up current max	(A)	12.00	
Drop out current max	(A)	10.60	
Starting capacitor	(μF / V)	125 / 160	with resistor (40CM524050)
Running capacitor	(μF / V)	40 / 220	Shizuki (40CM524036)

Circuit diagram CSR



Issued by T. Thipada Apr 10, 24

Quality Assurance Department / Kulthorn Premier Company Limited.

Certification Marks

